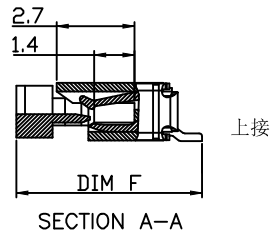
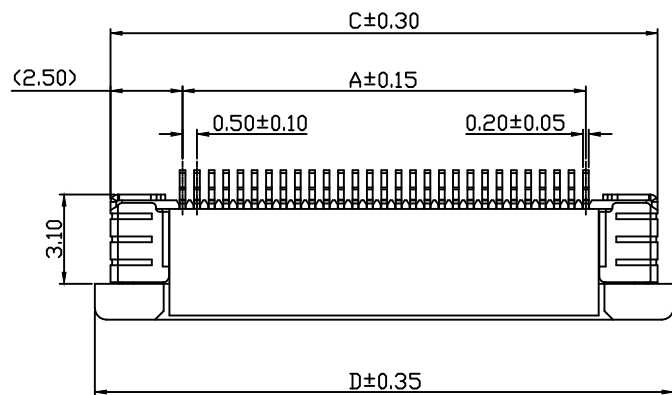
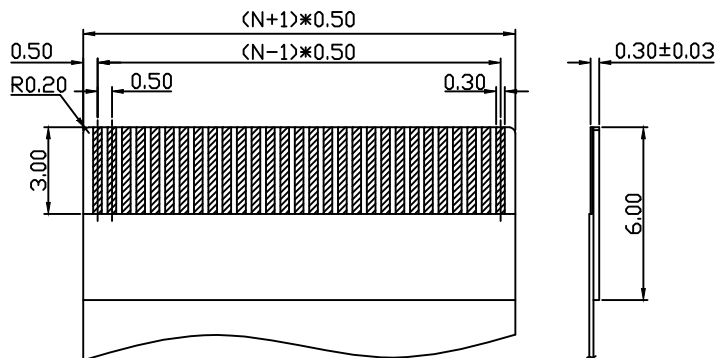
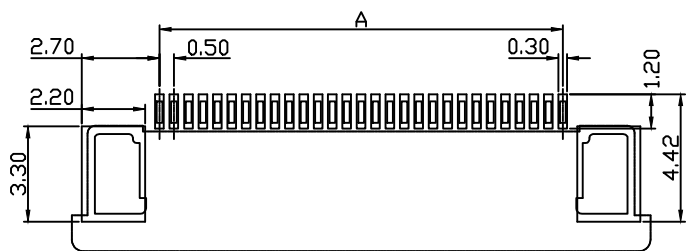
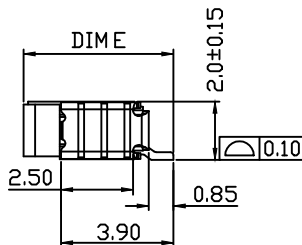
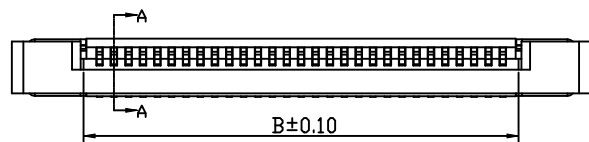


REV	DESCRIPTION	DATE
1.0	Release	20211110



**NOTE:**  
**■ MATERIAL AND FINISH**  
 HOUSING:HIGH-TEMP. THERMOPLASTIC. UL 94V-0.  
 ACTUATOR:HIGH-TEMP. THERMOPLASTIC. UL 94V-0.  
 CONTACT:COPPER ALLOY.  
 PLATING:TIN PLATED OVER NICKEL.  
 HOLDDOWN:COPPER ALLOY. PLATING:TIN PLATED OVER NICKEL.  
**■ ELECTRICAL**  
 CURRENT:0.5A MAX.  
 DIELECTRIC WITHSTANDING VOLTAGE:250V AC MIN.  
 CONTACT RESISTANCE:30mΩ MAX.  
 INSULATION RESISTANCE:100MΩ MIN.  
**ENVIRONMENTAL**  
 TEMPERATURE:-25°C TO +85°C



■ DIMENSIONAL INFORMATION

CKTS	DIM A	DIM B	DIM C	DIM D	DIM E	DIM F
4	1.50	2.60	6.50	7.60		
5	2.00	3.10	7.00	8.10		
6	2.50	3.60	7.50	8.60		
7	3.00	4.10	8.00	9.10		
8	3.50	4.60	8.50	9.60		
9	4.00	5.10	9.00	10.10		
10	4.50	5.60	9.50	10.60		
11	5.00	6.10	10.00	11.10		
12	5.50	6.60	10.50	11.60		
13	6.00	7.10	11.00	12.10		
14	6.50	7.60	11.50	12.60		
15	7.00	8.10	12.00	13.10		
16	7.50	8.60	12.50	13.60		
17	8.00	9.10	13.00	14.10		
18	8.50	9.60	13.50	14.60		
19	9.00	10.10	14.00	15.10	5.20	6.45
20	9.50	10.60	14.50	15.60		
21	10.00	11.10	15.00	16.10		
22	10.50	11.60	15.50	16.60		
23	11.00	12.10	16.00	17.10		
24	11.50	12.60	16.50	17.60		
25	12.00	13.10	17.00	18.10		
26	12.50	13.60	17.50	18.60		
27	13.00	14.10	18.00	19.10		
28	13.50	14.60	18.50	19.60		
29	14.00	15.10	19.00	20.10		
30	14.50	15.60	19.50	20.60		
31	15.00	16.10	20.00	21.10		
32	15.50	16.60	20.50	21.60		
33	16.00	17.10	21.00	22.10		
34	16.50	17.60	21.50	22.60		
35	17.00	18.10	22.00	23.10		
36	17.50	18.60	22.50	23.60		
37	18.00	19.10	23.00	24.10		
38	18.50	19.60	23.50	24.60		
39	19.00	20.10	24.00	25.10		
40	19.50	20.60	24.50	25.60		
41	20.00	21.10	25.00	26.10		
42	20.50	21.60	25.50	26.60		
43	21.00	22.10	26.00	27.10		
44	21.50	22.60	26.50	27.60		
45	22.00	23.10	27.00	28.10		
46	22.50	23.60	27.50	28.60		
47	23.00	24.10	28.00	29.10		
48	23.50	24.60	28.50	29.60	5.75	7.00
49	24.00	25.10	29.00	30.10		
50	24.50	25.60	29.50	30.60		
51	25.00	26.10	30.00	31.10		
52	25.50	26.60	30.50	31.60		
53	26.00	27.10	31.00	32.10		
54	26.50	27.60	31.50	32.60		
55	27.00	28.10	32.00	33.10		
56	27.50	28.60	32.50	33.60		
57	28.00	29.10	33.00	34.10		
58	28.50	29.60	33.50	34.60		
59	29.00	30.10	34.00	35.10		
60	29.50	30.60	34.50	35.60		

<p><b>CNT</b> 肯耐特电子有限公司</p>				GENERAL TOLERANCE		DRAWN	DATE	DWG. NO.	TITLE
				X.° ±5°	X. ±0.30	董道丽	20211110	20211110008	
<p>REV. 1.0 UNIT mm SCALE 1:1</p>				.X° ±3°		CHECK	DATE		PART. NO.
				.X ±0.38	顾海峰	20211110	CNT-FPC050-XX-TDM-S11-200		
<p>⌀</p>				.XX° ±2°		APPROVE		DATE	FPC 0.5 PITCH 单面上接平脚位 SMT90°
				.XX ±0.25	王元中	20211110			
<p>⌀</p>				.XXX° ±1°					
				.XXX ±0.15					