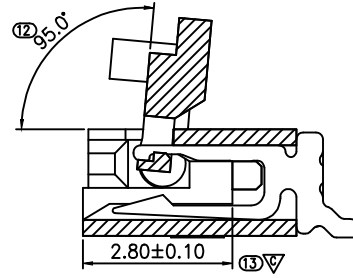
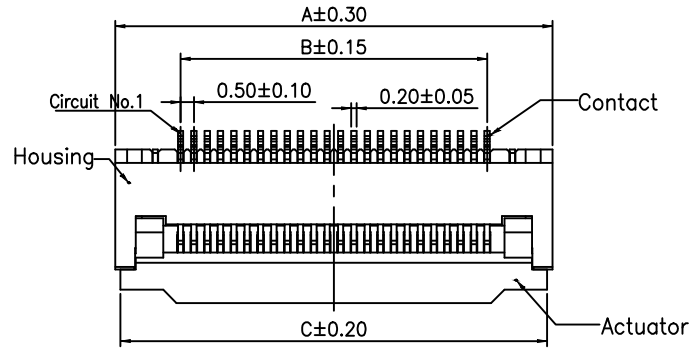
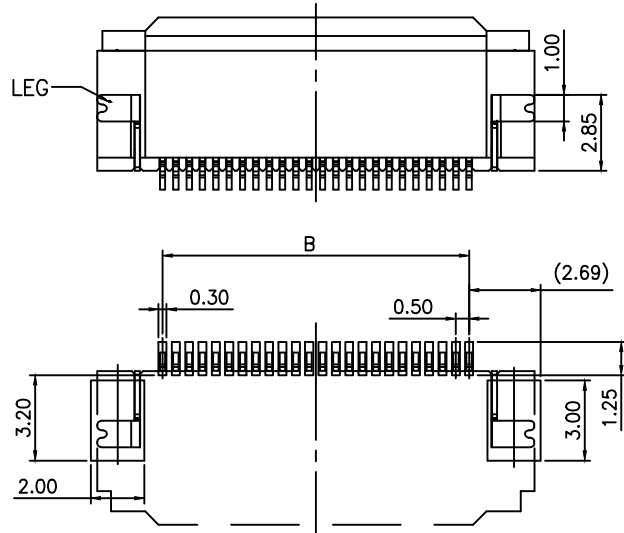
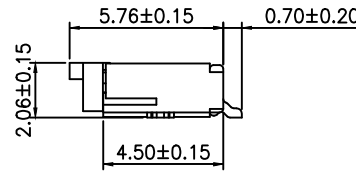
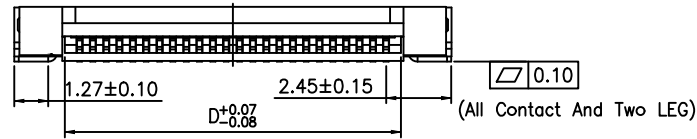


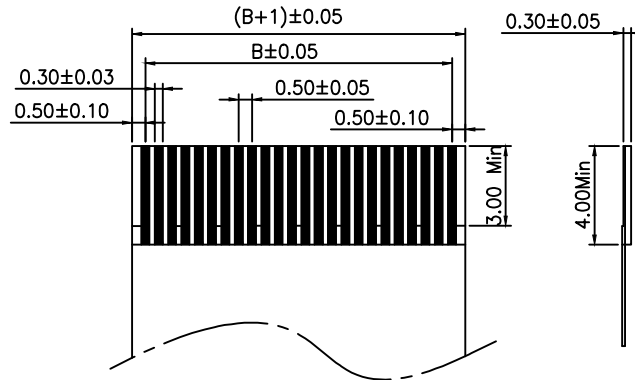
REV	DESCRIPTION	DATE



Section A-A
Scale 2:1



RECOMMENDED PCB PATTERN



Recommended FPC Dimension

NOTE:

- MATERIAL
HOUSING:LCP,HIGH-TEMP. THERMOPLASTIC. UL 94V-0.
ACTUATOR:LCP,HIGH-TEMP. THERMOPLASTIC. UL 94V-0.
CONTACT:COPPER ALLOY.
PLATING:TIN OR GOLD PLATED OVER NICKEL.
HOLDDOWN:COPPER ALLOY. PLATING:TIN OR GOLD PLATED OVER NICKEL.
- ELECTRICAL
CURRENT:0.5A MAX.
DIELECTRIC WITHSTANDING VOLTAGE:250V AC MIN.
CONTACT RESISTANCE:20mΩ MAX.
INSULATION RESISTANCE:50MΩ MIN.
- ENVIRONMENTAL
TEMPERATURE:-20°C TO +85°C
- PART NO.
CNT-FPC050-XX-TDM-S20-200

■ DIMENSIONAL INFORMATION

No. of Contacts	Dimension				No. of Contacts	Dimension			
	A	B	C	D		A	B	C	D
04	6.40	1.50	6.00	2.60	35	21.90	17.00	21.50	18.10
05	6.90	2.00	6.50	3.10	36	22.40	17.50	22.00	18.60
06	7.40	2.50	7.00	3.60	37	22.90	18.00	22.50	19.10
07	7.90	3.00	7.50	4.10	38	23.40	18.50	23.00	19.60
08	8.50	3.50	8.00	4.60	39	23.90	19.00	23.50	20.10
09	8.90	4.00	8.50	5.10	40	24.40	19.50	24.00	20.60
10	9.40	4.50	9.00	5.60	41	24.90	20.00	24.50	21.10
11	9.90	5.00	9.50	6.10	42	25.40	20.50	25.00	21.60
12	10.40	5.50	10.00	6.60	43	25.90	21.00	25.50	22.10
13	10.90	6.00	10.50	7.10	44	26.40	21.50	26.00	22.60
14	11.40	6.50	11.00	7.60	45	26.90	22.00	26.50	23.10
15	11.90	7.00	11.50	8.10	46	27.40	22.50	27.00	23.60
16	12.40	7.50	12.00	8.60	47	27.90	23.00	27.50	24.10
17	12.90	8.00	12.50	9.10	48	28.40	23.50	28.00	24.60
18	13.40	8.50	13.00	9.60	49	28.90	24.00	28.50	25.10
19	13.90	9.00	13.50	10.10	50	29.40	24.50	29.00	25.60
20	14.40	9.50	14.00	10.60	51	29.90	25.00	29.50	26.10
21	14.90	10.00	14.50	11.10	52	30.40	25.50	30.00	26.60
22	15.40	10.50	15.00	11.60	53	30.90	26.00	30.50	27.10
23	15.90	11.00	15.50	12.10	54	31.40	26.50	31.00	27.60
24	16.40	11.50	16.00	12.60	55	31.90	27.00	31.50	28.10
25	16.90	12.00	16.50	13.10	56	32.40	27.50	32.00	28.60
26	17.40	12.50	17.00	13.60	57	32.90	28.00	32.50	29.10
27	17.90	13.00	17.50	14.10	58	33.40	28.50	33.00	29.60
28	18.40	13.50	18.00	14.60	59	33.90	29.00	33.50	30.10
29	18.90	14.00	18.50	15.10	60	34.40	29.50	34.00	30.60
30	19.40	14.50	19.00	15.60	61	34.90	30.00	34.50	31.10
31	19.90	15.00	19.50	16.10	62	35.40	30.50	35.00	31.60
32	20.40	15.50	20.00	16.60	63	35.90	31.00	35.50	32.10
33	20.90	16.00	20.50	17.10	64	36.40	31.50	36.00	32.60
34	21.40	16.50	21.00	17.60					

<p>CNT 肯耐特电子有限公司</p>				GENERAL TOLERANCE	DRAWN 董道丽	DATE 20191011	DWG. NO.	TITLE
				X.° ±5° X. ±0.30	CHECK 王芳芳	DATE 20191011	PART. NO.	
REV. 1.0	UNIT mm	SCALE 1:1		.X° ±3° .X ±0.38	APPROVE 王元中	DATE 20191011	CNT-FPC050-XX-TDM-S20-200	FPC 0.5mm Pitch 单面下接触 掀盖式 平脚位 SMT90度 (H=2.0mm)
				.XX° ±2° .XX ±0.25				
				.XXX° ±1° .XXX ±0.15				