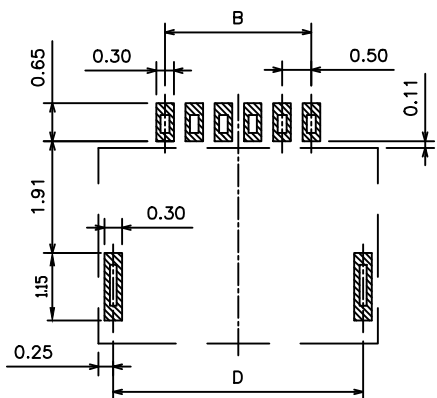
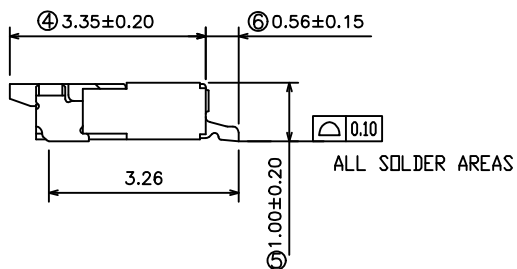
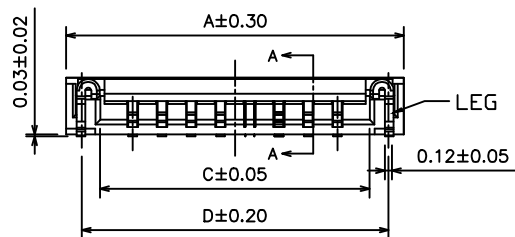
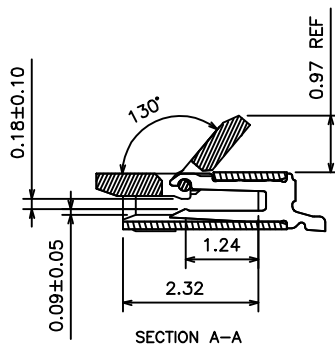
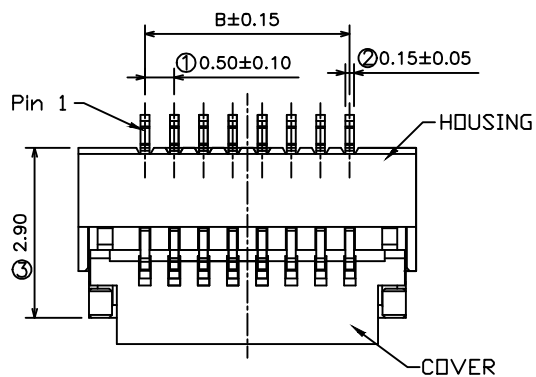
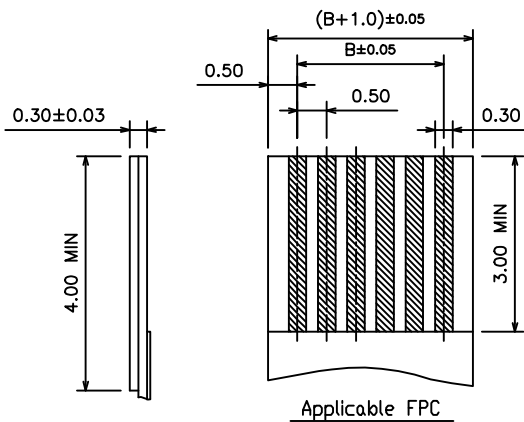


REV	DESCRIPTION	DATE



RECOMMEND PCB LAYOUT
TOLERANCE:±0.05



- NOTE:
- MATERIAL
HOUSING:HIGH-TEMP. THERMOPLASTIC. UL 94V-0.
ACTUATOR:HIGH-TEMP. THERMOPLASTIC. UL 94V-0.
CONTACT:PHOSPHOR BRONZE.
PLATING: GOLD PLATED OVER NICKEL.
HOLDDOWN:BRASS.PLATING: TIN PLATED OVER NICKEL.
 - ELECTRICAL
CURRENT:0.5A MAX.
DIELECTRIC WITHSTANDING VOLTAGE:250V AC MIN.
CONTACT RESISTANCE:20mΩ MAX.
INSULATION RESISTANCE:50MΩ MIN.
 - ENVIRONMENTAL
TEMPERATURE:-25°C TO +85°C
■ WITH "A","B","C","O"MAJOR DIMENSION FOR QC.
 - PART NO.
CNT-FPC050-XX-TDM-S20-100

■ DIMFNSIONAL INFORMATION

PIN	A	B	C	D	PIN	A	B	C	D
04	3.77	1.50	2.60	3.27	23	13.27	11.50	12.10	12.77
05	4.27	2.00	3.10	3.77	24	13.77	11.50	12.60	13.27
06	4.77	2.50	3.60	4.27	25	14.27	12.00	13.10	13.77
07	5.27	3.00	4.10	4.77	26	14.77	12.50	13.60	14.27
08	5.77	3.50	4.60	5.27	27	15.27	13.00	14.10	14.77
09	6.27	4.00	5.10	5.77	28	15.77	13.50	14.60	15.27
10	6.77	4.50	5.60	6.27	29	16.27	14.00	15.10	15.77
11	7.27	5.00	6.10	6.77	30	16.77	14.50	15.60	16.27
12	7.77	5.50	6.60	7.27	31	17.27	15.00	16.10	16.77
13	8.27	6.00	7.10	7.77	32	17.77	15.50	16.60	17.27
14	8.77	6.50	7.60	8.27	33	18.27	16.00	17.10	17.77
15	9.27	7.00	8.10	8.77	34	18.77	16.50	17.60	18.27
16	9.77	7.50	8.60	9.27	35	19.27	17.00	18.10	18.77
17	10.27	8.00	9.10	9.77	36	19.77	17.50	18.60	19.27
18	10.77	8.50	9.60	10.27	37	20.27	18.00	19.10	19.77
19	11.27	9.00	10.10	10.77	38	20.77	18.50	19.60	20.27
20	11.77	9.50	10.60	11.27	39	21.27	19.00	20.10	20.77
21	12.27	10.00	11.10	11.77	40	21.77	19.50	20.60	21.27
22	12.77	10.50	11.60	12.27					

CNT 肯耐特电子有限公司

REV. 1.0	UNIT mm	SCALE 1:1	
-------------	------------	--------------	--

GENERAL TOLERANCE	DRAWN	DATE
X.° ±5° X. ±0.30	董道丽	20191011
.X° ±3° .X ±0.38	王芳芳	20191011
.XX° ±2° .XX ±0.25	王元中	20191011
.XXX° ±1° .XXX ±0.15		

DWG. NO.	PART. NO.
	CNT-FPC050-XX-TDM-S20-100

TITLE
FPC 0.5mm 单面下接 掀盖式 平脚位 SMT90度 (H=1.0mm)