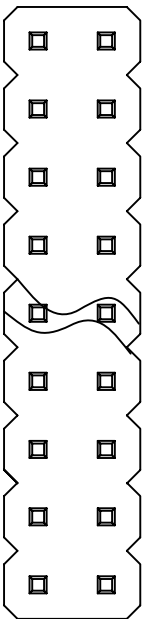


REV	DESCRIPTION	DATE

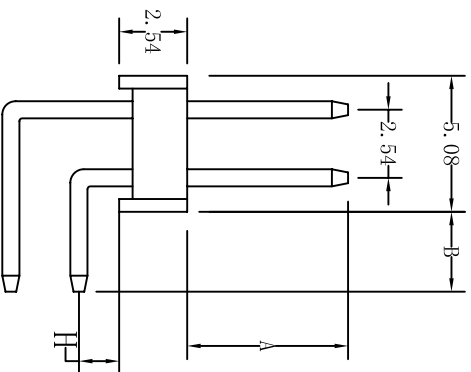
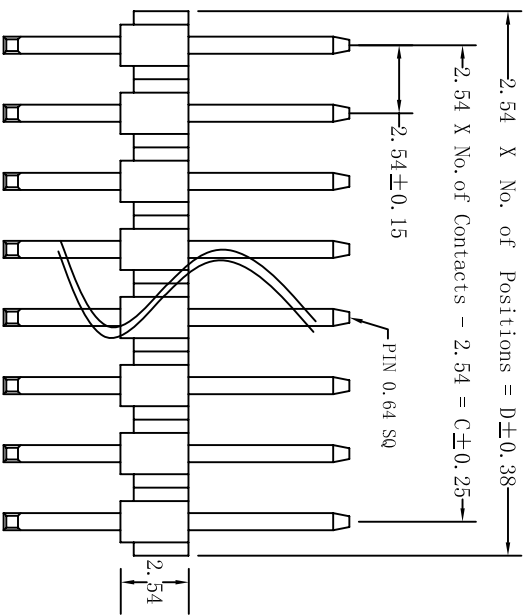


SPECIFICATIONS

Current Rating: 3.0 Amps
 Insulator resistance: 1000 Megohms Min.
 Dielectric withstanding: AC 500 V
 Operating Temperature: -40° C - +105° C

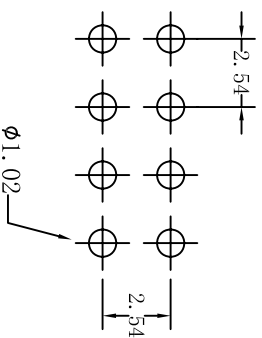
MATERIALS

Contact Material: Brass
 Insulator Material: P. B. T
 Finish: Gold Plated



Recommended P. C. Board

Hole Layout



A	E
B	F
H	W

CNT 肯耐特电子有限公司

REV.	UNIT	SCALE	GENERAL	TOLERANCE
A	mm	1:1	X. ±5°	.X° ±
			XX ±5°	.X ±0.25
			XXX ±5°	.XX ±0.25 .XXX ±0.20

DRAWN	DATE
Ares	20140523
CHECK	DATE
Grace	20140523
APPROVE	DATE
Max	20140523

DWG. NO.	PART. NO.
	CNT-M254-2XX-GD-A/B/H

TITLE
Pin Header Dual Rows Right Angle Dip Type