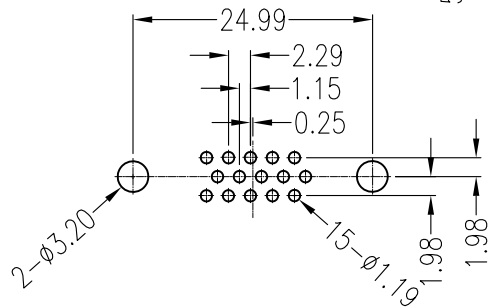
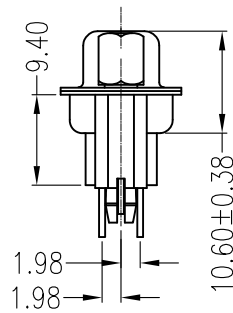
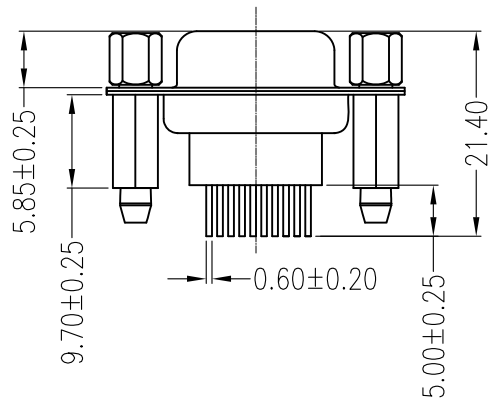
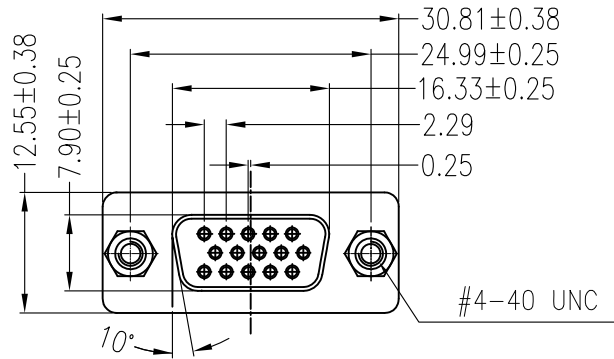


RoHS PASS

REV	ECN NO	LOCATIONS	DESCRIPTION	DATE	DESIGN
AO	NEW		NEW RELEASED	2015.02.10	CaiWei



RECOMMENDED PCB LAYOUT THICKNESS=1.6mm
TOLERANCE:±0.05

NOTE:

1.MATERIALS:

INSULATOR:PBT+30%G.F UL 94V-0
SHELL: STEEL
CONTACT MATERIAL: BRASS,
RIVETED INSERT: BRASS MATERIAL,
SCREWS: Brass

2.ELECTRICAL CHARACTERISTICS

CURRENT RATING:1.0 AMP DC
VOLTAGE RATING:300 V DC
CONTACT RESISTANCE:20 MILLIOHMS MAX
DIELECTRIC WITHSTANDING VOLTAGE:500 V AC MIN
INSULATION RESISTANCE:1000 MEGAOHMS MIN
OPERATING TEMPERATURE:-20℃~+85℃

HDBX-15FX-XXD0-82

5-ROHS
Contact Finish:
1-Gold Flash
3-Selective Gold 5u"
5-Selective Gold 15u"
7-Selective Gold 30u"
A-Gold Plated
Shell Finish:
1-Front Ni & Back Tin
Insulator Color:
K-Black

C N T肯耐特电子有限公司

DRAW NO:	DATE	MATERIAL: SEE NOTE 1	DRAW NAME:
DESIGN:		FINISH: /	HDP 15PIN 母高侧面, 铆合铜柱 9.7mm, 鱼叉口; 绝缘 5.0mm, 铜螺丝
CHECK:		FILE: /	MODEL:
REVIEW:		P/N NO: HDBX-15FX-XXD0-82	UNIT: mm SHEET 1/1
APPROVED:		REV: AO SCALE: N/A	

DIM	TOL	DEC	TOL
X.	±0.5	X.*	±1*
X.X	±0.38	X.X*	±0.5*
X.XX	±0.25	X.XX*	
X.XXX	±0.10	X.XXX*	