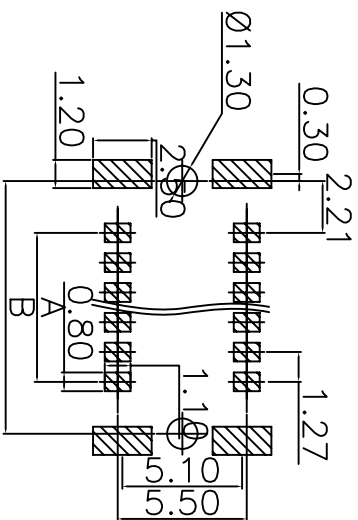


REV	DESCRIPTION	DATE

**Specifications**  
 Current Rating: 0.8Amp  
 Insulation Resistance: 1000MΩ Min.  
 Dielectric Withstanding Voltage: 500VAC  
 Contact Resistance: 30mΩ Max.  
 Operating Temperature: -55°C to +125°C  
**Materials**  
 Contact Material: Phosphor Bronze  
 Insulator Material: High Temperature Thermoplastic, UL 94V-0 LCP or the equivalent material  
 Colour: Black  
 All materials must meet GREENCONN hazardous substances control standards.

PIN NO.	A	B	C	D	E
2*06	6.35	10.77	13.20	9.37	8.37
2*13	15.24	19.66	22.09	18.26	17.26
2*25	30.48	34.90	37.33	33.50	32.50



Recommended P.C. Board Layout  
 (Tolerance: ±0.05)

REV.	UNIT	SCALE	GENERAL TOLERANCE			DRAWN	DATE	DWG. NO.
1.0	mm	1:1	X.° ±5°	.X.° ±	Alen	20170412	CNT-P127-2*xx-0M-1365/5.7-TR	
			X. ±5°	.X ±0.38	CHECK	DATE	PART. NO.	
			XX. ±5°	.XX ±0.25	APPROVE	DATE		
			XXX. ±5°	.XXX ±0.15				

**CNT** 肯耐特电子有限公司

TITLE

Pitch 1.27 Female Connector  
 SMT Type-B SMT Type  
 High 13.65mm 180°