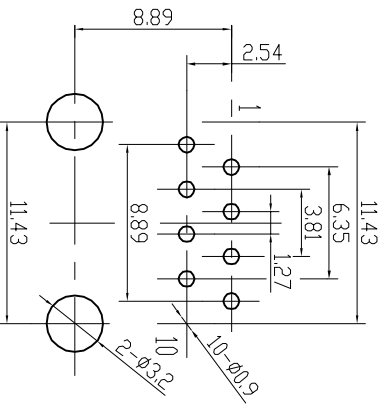
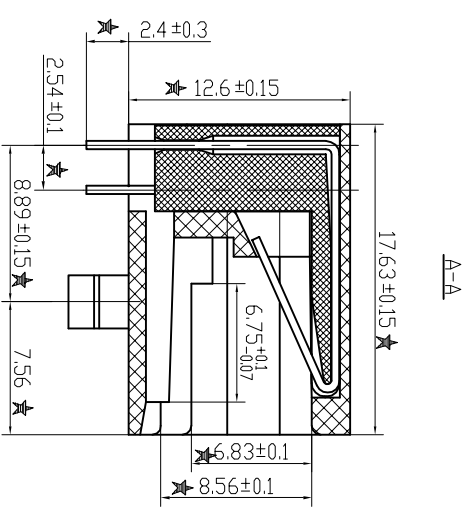
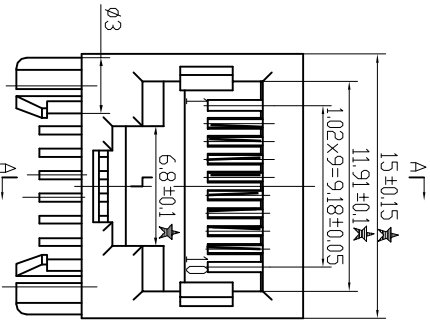
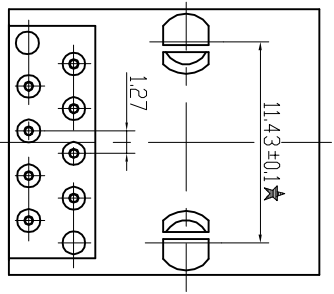


YH-56-02

REV.	ECN NO.	DATE



PCB LAYOUT



- NOTE:
- ELECTRICAL:
    - VOLTAGE RATING: 125 VAC RMS;
    - CURRENT RATING: 15 AMP;
    - CONTACT RESISTANCE: 20 MILLIOHMS Max;
    - INSULATION RESISTANCE: 1000 MEGOHMS Min. @500 VDC;
    - DIELECTRIC STRENGTH: 1000 VAC RMS 50 or 60Hz 1 Minute;
  - MECHANICAL:
    - HOUSING: PBT, UL94V-0, BLACK;
    - INSERT: PBT, UL94V-0, BLACK;
    - TERMINALS: DIA 0.46 PHOSPHER BRONZE PLATED 3u" Au;
    - DURABILITY: 750 CYCLES Min.
- 3★Critical dimension.

ROHS Compliant

CNT 肯耐特电子有限公司

FIRST ANGLE PROJECTION	SCALE	UNIT	CUSTOMER:
	A4	mm	
SIZE	2.5:1	MODEL NO.:	

TOLERANCES	0-15±0.15, 15-30±0.2, 30-40±0.25 ANGLE: H1*
------------	--

MATERIAL:	SEE NOTE
FINISH:	SEE NOTE
SHEET	1 OF 1

DESIGNED:	Checked:	Approved:

NAME:	5621 10P8C
DWG NO.:	C07081810
PART NO.:	
REV	00