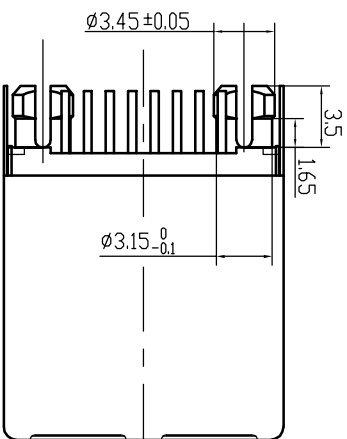
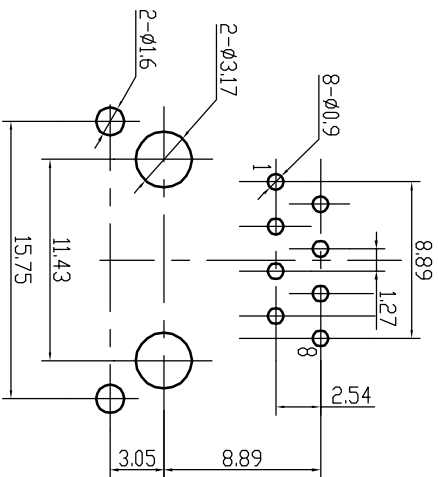
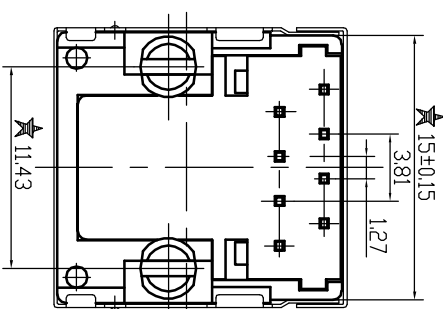
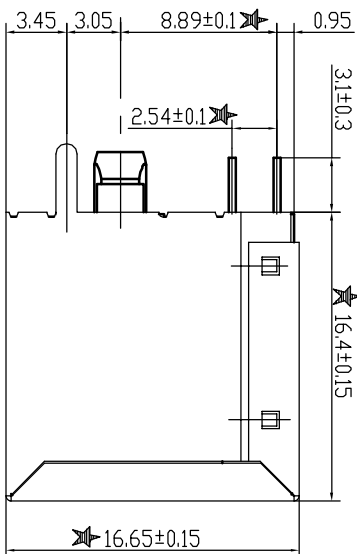
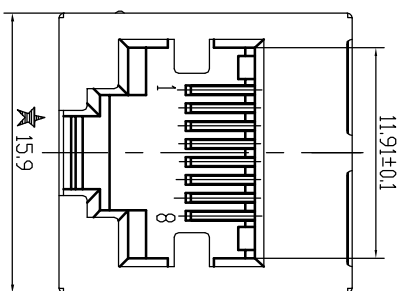


YH-52-42

REV.	ECN NO.	DATE
------	---------	------



PCB LAYOUT

ROHS Compliant

CNT 肯耐特电子有限公司

TOLERANCES

0-.15: ±0.15  
 15-.30: ±0.20  
 30- : ±0.25  
 ANGLES: ±1°

MATERIAL: SEE NOTE

Designed:

NAME: 5224-S 8P8C

FINISH: SEE NOTE

Checked:

DWG NO.: Q07081502

SHEET 1 OF 1

Approved:

PART NO.: B524S-8803-M005



SCALE: 2.5:1

UNIT: mm

CUSTOMER: MODEL NO.:

REV: 00

- NOTES:
- ELECTRICAL:
    - VOLTAGE RATING: 125 VAC RMS;
    - CURRENT RATING: 15 AMP;
    - CONTACT RESISTANCE: 20 MILLIOHMS Max;
    - INSULATION RESISTANCE: 1000 MEGOHMS Min @500 VDC;
    - DIELECTRIC STRENGTH: 1000 VAC RMS 50 or 60Hz 1 Minute;
  - MECHANICAL:
    - HOUSING: PBT, UL94V-0, BLACK
    - INSERT: PBT, UL94V-0, BLACK
    - TERMINALS: T036\*W046 PHOSPHOR BRONZE PLATED 3μ' Au;
    - SHIELD: H65Y;
    - DURABILITY: 750 CYCLES Min.
- 3.★ Critical Dimension.