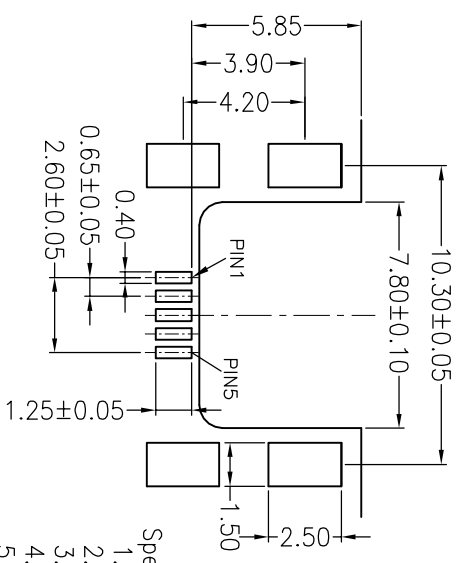
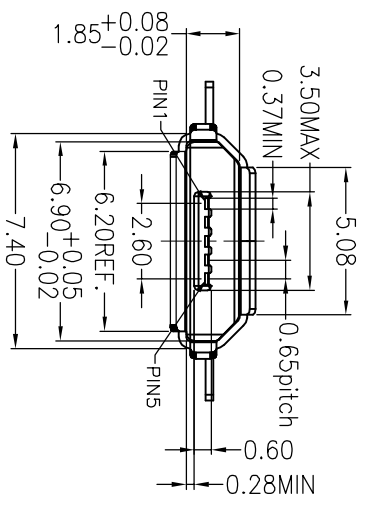
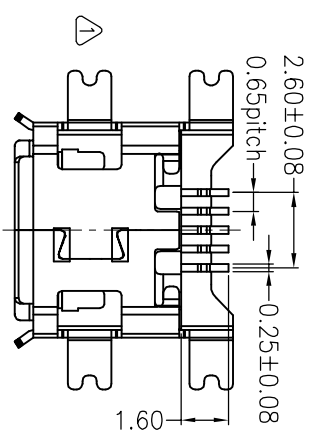
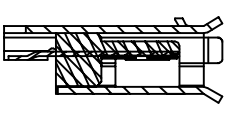
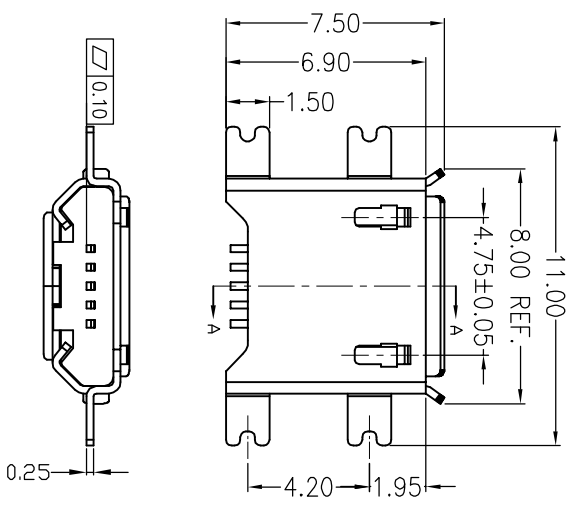
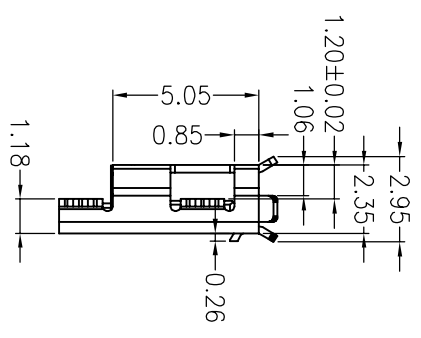


REV	DESCRIPTION	DATE	ECN NO.	CHANGER
A/0	INITIAL RELEASE	10.05.24		
A/1	MODIFY DRAWING	11.04.25	2011043	Amanda



RECOMMENDED P.C.B LAYOUT(±0.05)

- Specification
- 1.Current Rating:0.5AMP.
  - 2.Insulation Resistance:100MΩ Min 250V DC.
  - 3.Contact Resistance:30mΩ Max.
  - 4.Dielectric Withstanding Voltage:250V AC
  - 5.Temperature Range:-30°C to +80°C



剖视图 A-A

NO.	NAME	MATERIAL	Q'TY	REMARK
3	SHELL	C2680R-H	1	Matte Tin:100U" or AU:1U"
2	TERMINAL	C2680R-H	5	SEE NOTE
1	HOUSING	LCP	1	UL94V-0 Nature/Black/White

P/N:  
MIR-B1M02F-XX5X-X  
W=无卤 O=94-V0  
Shell plate spec:T=Fin plated, N=Nickel plated, G=Gold plated  
Housing colour:B=Black, N=Nature, W=White  
Contact plate spec:0=FU", 1=3U", 2=6U", 3=15U", 4=30U"

# C N T 肯耐特电子有限公司

UNIT:	mm	DR:	Amanda	TITLE:	MICRO USB 5P 插座板式
X: ±0.38	X: ±4°	3DR:	Amanda	SHEET:	1/1
X: ±0.25	X: ±2°	SCALE:	4:1	D/N:	5215-0002
XX±0.20	XX°	CHKD:		M/N:	
XXX±0.10	XXX°	REV:	A/1		
CUSTOMER DRAWING		APPD:			