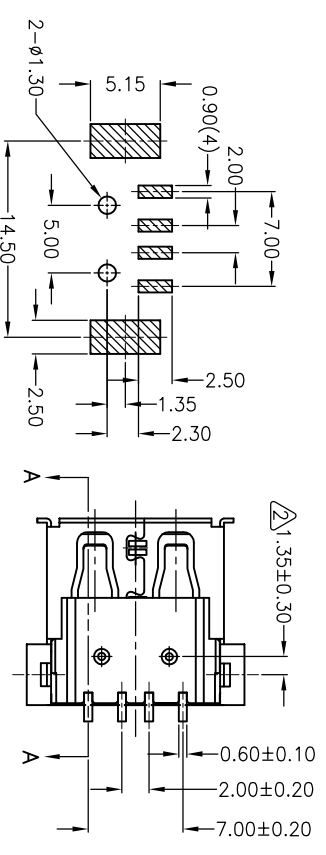
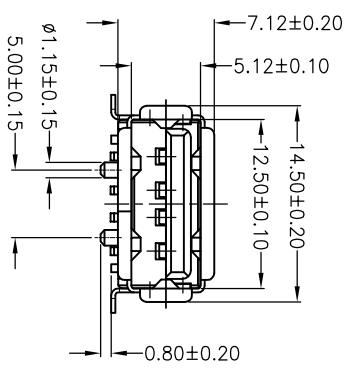
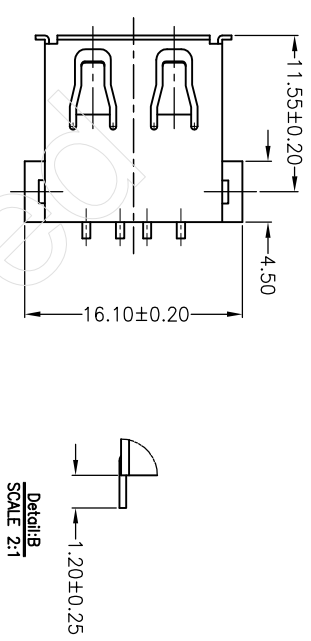


REV	DESCRIPTION	DATE	ECN NO.	CHANGER
A/1	Modify drawings	08.12.30	2008123	JACK
A/2	Modify the size	09.05.29	2009074	JACK



Specification

- 1.Current Rating:1.5AMP at 250V AC Voltage Rating:30V
- 2.Insulation Resistance:1000MΩ Min
- 3.Contact Resistance:30mΩ Max
- 4.Dielectric Withstanding Voltage:500V AC
- 5.Temperature Range:-20°C to +60°C
- 6.Mechanical Characteristics:  
Insertion Force:35 Newtons maximum  
Extraction Force:10 Newtons minimum

P/N NOTE:  
USB-A1M52F-XX4X

Shell plate spec:  
T=Tin plated, N=Nickel plated  
Housing colour:  
B=Black, N=Nature, W=White  
Contact plate spec:  
0=FU", 1=3U", 2=6U",  
3=15U", 4=30U"

NO.	VARIETY	MATERIAL	QT,Y	REMARK
3	Shell	C2680H	1	T=0.30 Plating nickel/Tin
2	Housing	PA66	1	UL94V-0 Nature/Black/White
1	Contact	C2680EH	4	T=0.25 Plating Gold

RECOMMENDED P.C.B HOLE LAYOUT  
TOP VIEW(TOLERANCE:±0.10)

# CNT 肯耐特电子有限公司

X. ±0.38	X. ±4'	UNIT:	DR:	JACK	TITLE:
X ±0.25	X ±2'	mm	DR:	JACK	USB A TYPE(FEMALE) SMT
XX ±0.20	XX'	3RD:	DE:	JACK	
XXX ±0.10	XXX'	SCALE:	CHKD:		SHEET: 1/1
CUSTOMER DRAWING	REV:	A/2	APPD:		P/N: USB-A1M52F-XX4X
					D/N: 1014-0052
					M/N: