

WAFER(180°)  
 Part No: KJ-4259WV(A)-2  
 Material: Pin: Brass Tin-Plated  
 Base: Nylon66 UL94-V2  
 Circuits: 2-24circuits available  
 Insulation Resistance:1000MΩ min  
 Withstand Voltage:1500V AC/minute  
 Current Rating:9A AC/DC  
 Voltage Rating:600V AC/DC

ORDERING INFORMATION:

RoHS

KJ-4259WV(A)-2\* \*P-\*-\* (\*)

Part No

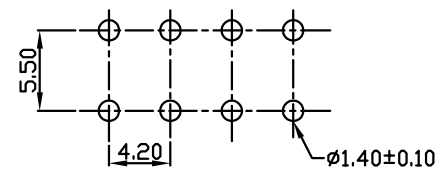
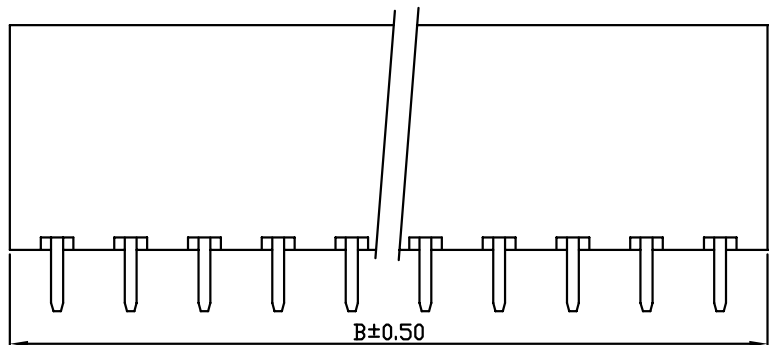
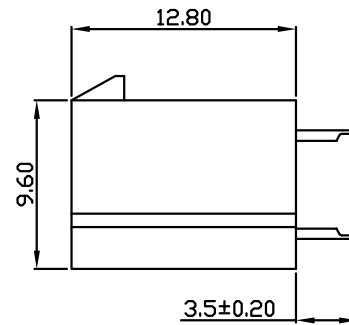
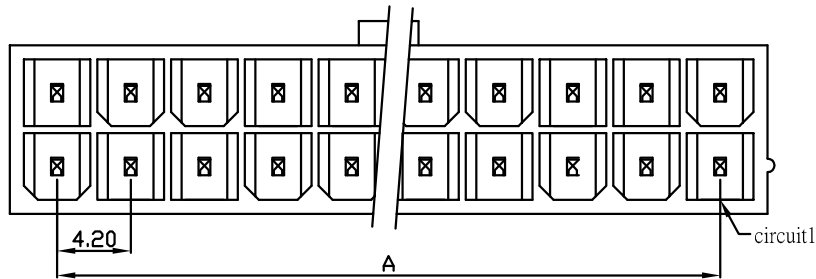
Special Material:PA46  
 6T  
 V-0

2 : Double Row

Color

Circuit No

:Tin plated  
 M:Matte-tin plated  
 G:Gold flash  
 G1:Gold 1u"



P.C.B. LAYOUT

Dimensions

circuit	A	B	circuit	A	B
2*1	- -	5.4	2*7	25.20	30.6
2*2	4.20	9.6	2*8	29.40	34.8
2*3	8.40	13.8	2*9	33.60	39.0
2*4	12.60	18.0	2*10	37.80	43.2
2*5	16.80	22.2	2*11	42.00	47.4
2*6	21.00	26.4	2*12	46.20	51.6

CNT 肯耐特电子有限公司

UNIT:MM

繪圖  
DRAWING:

王三星

比例 (SCALE):

3:1

DESCRIPTION:

MX4.2 MINI-FIT(空心PIN)

ANGLE  
±2°

DIM:  
 .X±0.50  
 .XX±0.25  
 .XXX±0.10

審核  
CHECKED BY

凌輝

名稱 (TITLE):

MX4.2空心PIN

PART NO:

KJ-4259WV(A)-2

REV:A2

核准  
APPROVAL BY

苗德蕙

PROJECTION:

