

RoHS

WAFER(180°)

Part No: KJ-4259WV(B)-2

Material: Pin: Brass tin-plated

Base: Nylon 66 UL94-V2

Circuits: 2-24circuits available

Insulation resistance: 1000MΩ min

Withstand Voltage: 1500V AC/minute

Current Rating: 9A AC/DC

Voltage Rating: 600V AC/DC

ORDERING INFORMATION:

KJ-4259WV(B)-2*P-*-* (*)

Part No

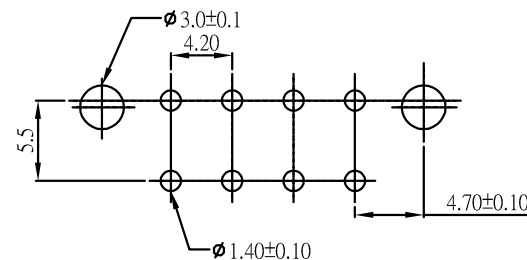
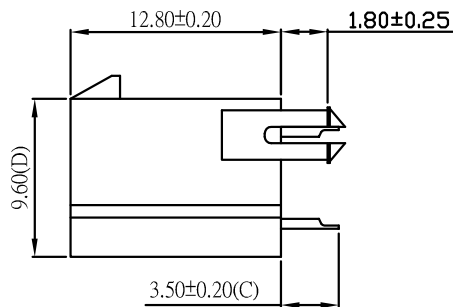
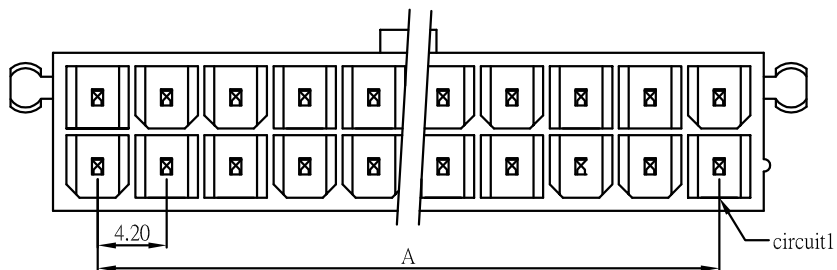
2 : Double Row

Circuit No

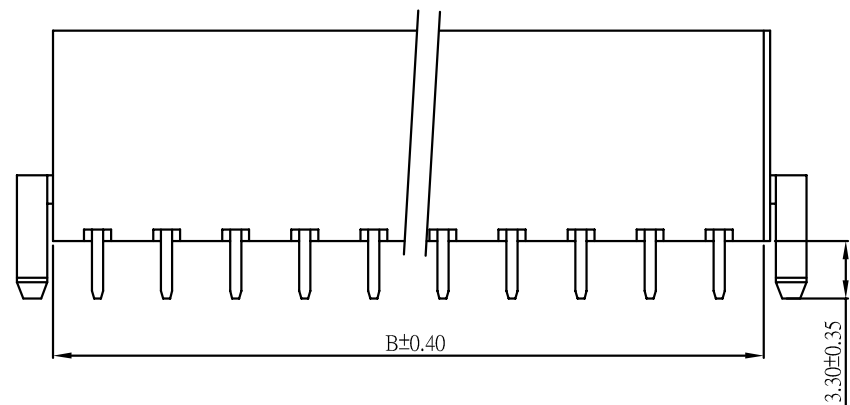
Special Material:PA46
6T
V-0

Color

:Tin plated
M:Matte-tin plated
G:Gold flash
G1:Gold 1u"



P.C.B. LAYOUT



Dimensions

circuit	A	B	circuit	A	B
2*1	- -	5.40	2*7	25.20	30.60
2*2	4.20	9.60	2*8	29.40	34.80
2*3	8.40	13.80	2*9	33.60	39.00
2*4	12.60	18.00	2*10	37.80	43.20
2*5	16.80	22.20	2*11	42.00	47.40
2*6	21.00	26.40	2*12	46.20	51.60

CNT肯耐特电子有限公司

UNIT:MM

繪圖
DRAWING:

王三星

比例 (SCALE):

3:1

DESCRIPTION:

MX4.2 MINI-FIT(空心PIN)

ANGLE
±2°

DIM:
.X±0.50
.XX±0.25
.XXX±0.10

審核
CHECKED BY

凌輝

名稱 (TITLE):

MX4.2空心PIN

PART NO:

KJ-4259WV(B)-2

REV:A1

核准
APPROVAL BY

苗德蕙

PROJECTION:

