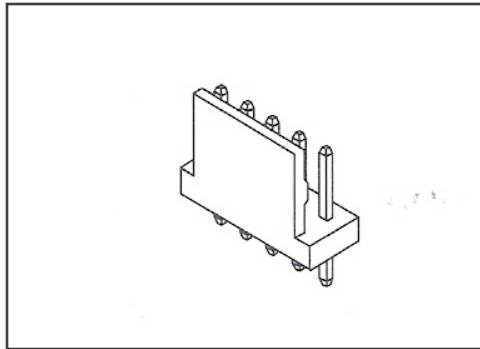
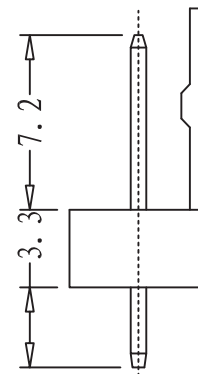
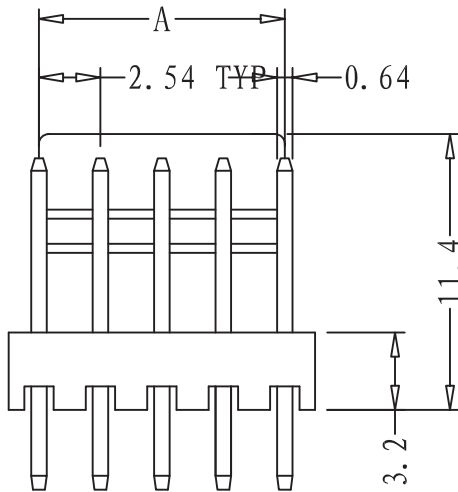
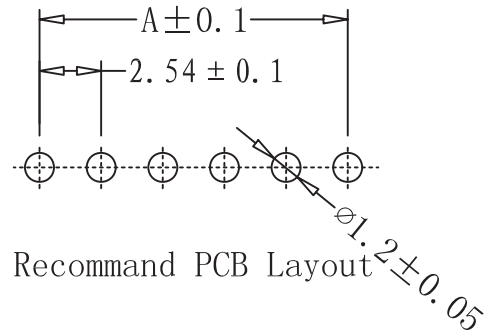
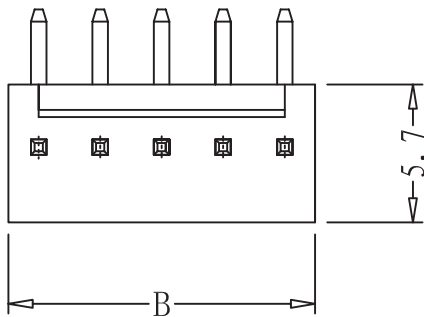


# Pitch:2.54mm (0.1") Wire to Board Connector Single Row Straight Dip Type



## SPECIFICATIONS

Voltage rating:250V AC, DC  
 Current rating 3A, AC, DC  
 Withstanding Voltage:1,000V AC/minute  
 Insulation resistance:1,000M  $\Omega$  min  
 Temperature range:-25° C- +85° C  
 Contact Resistance: 20m  $\Omega$  max  
 Material: Contact: Brass, Tin Plated  
 Base: Nylon66 UL94-2



Poles	Part No.	Dimension (mm)		Poles	Part No.	Dimension (mm)	
		A	B			A	B
2	CNT-W254-1*2-TS-1140	2.54	5.08	9	CNT-W254-1*9-TS-1140	20.32	22.86
3	CNT-W254-1*3-TS-1140	5.08	7.62	10	CNT-W254-1*10-TS-1140	22.86	25.40
4	CNT-W254-1*4-TS-1140	7.62	10.16	11	CNT-W254-1*11-TS-1140	25.40	27.94
5	CNT-W254-1*5-TS-1140	10.16	12.70	12	CNT-W254-1*12-TS-1140	27.94	30.48
6	CNT-W254-1*6-TS-1140	12.70	15.24	13	CNT-W254-1*13-TS-1140	30.48	33.02
7	CNT-W254-1*7-TS-1140	15.24	17.78	14	CNT-W254-1*14-TS-1140	33.02	35.56
8	CNT-W254-1*8-TS-1140	17.78	20.32	15	CNT-W254-1*15-TS-1140	35.56	38.10