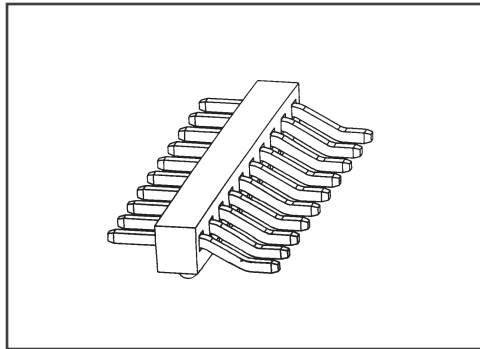


Pitch:2.54mm (0.1")

Single Row Pin Header Right Angle S.M.T Type

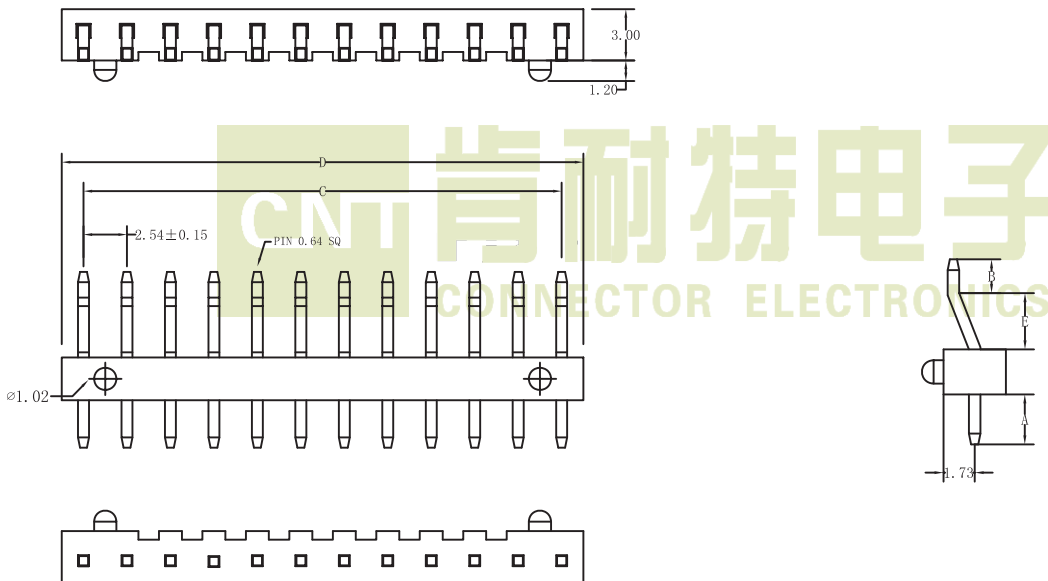


SPECIFICATIONS

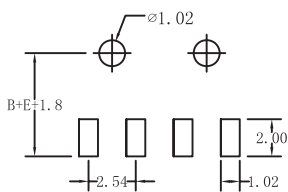
Current Rating: 3 Amps
 Insulator resistance:1000 Megohms Min.
 Dielectric withstanding:AC 500 V
 Contact Resistance:20 Megohms Max
 Operating Temperature:-40° C - +105° C

MATERIALS

Contact Material:Brass
 Insulator Material:30% Glass filled
 P. B. T UL94V-0
 Finish:Gold /Tin Plated over nickel



Recommended P. C. Board Hole Layout



No. of Pins Per Row		03~30
Dimension		
C	$2.54 * \text{No. of Contacts} - 2.54$	± 0.25
D	$2.54 * \text{No. of Contacts}$	± 0.38

Ordering Information

M 254 1 * XX G DM A/B/E

M: Pitch: 1: No. of pins per Row: G: GoldPlated: DM: Right Angle: A/B/E: Custom Length Available
 Male 2.54mm Single Row: T: Tin Plated: M: S.M.T