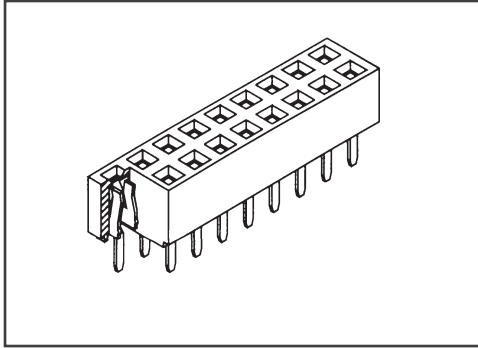


Pitch:2.00mm (0.079")

Dual Row Female Header Straight Dip Type

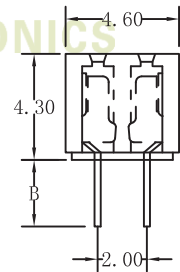
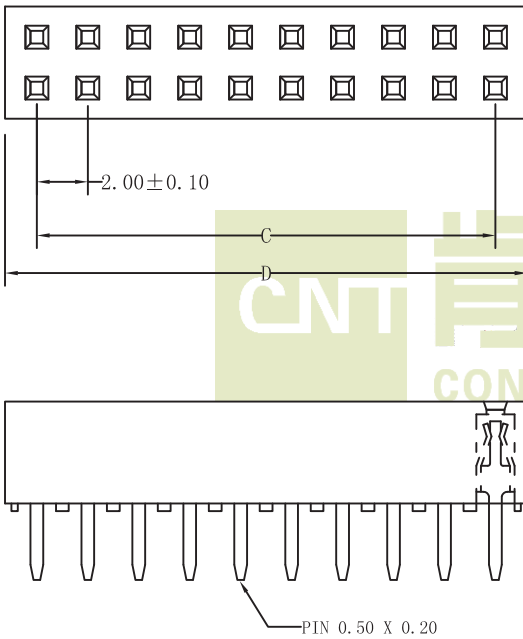


SPECIFICATIONS

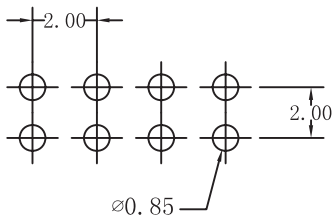
Current Rating: 2.0 Amps
 Insulator resistance: 1000 Megohms Min.
 Dielectric withstanding: AC 500 V
 Contact Resistance: 20 Megohms Max
 Operating Temperature: -40° C - +105° C

MATERIALS

Contact Material: Copper Alloy
 Insulator Material: NYLON-6T UL94V-0
 Finish: Gold/Tin Plated



Recommended P. C. Board Hole Layout



No. of Pins Per Row		03~40
Dimension		
C	2.00*No.of Contacts-2.0	±0.25
D	2.00*No.of Contacts+0.6	±0.38

Ordering Information

F **200** **2** ***** **XX** **G** **S** **430** **B**
 F: Pitch: 2: No. of pins G: S: Plastic Custom Length
 Female 2.00mm Dual Row per Row GoldPlated Straight Height Available
 T: Tin Plated