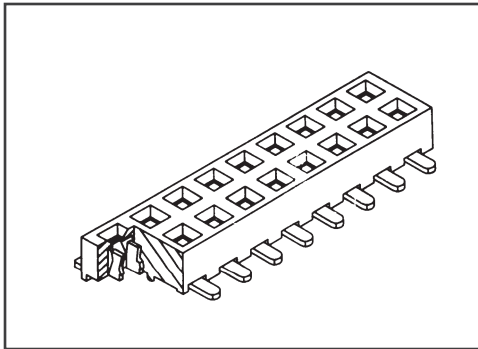


# Pitch:2.00mm (0.079")

## Dual Row Female Header S.M.T Type With Post

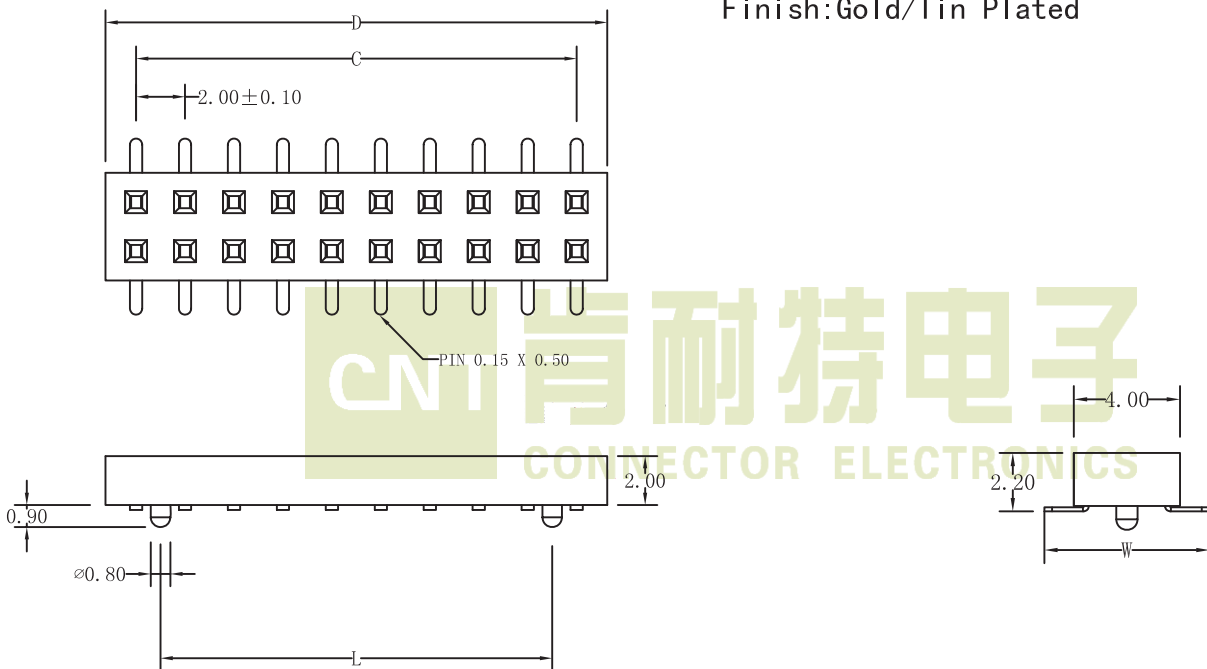


### SPECIFICATIONS

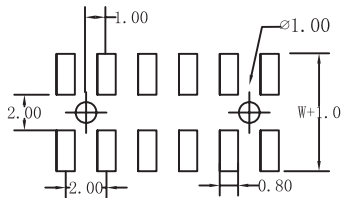
- Current Rating:2.0 Amps
- Insulator resistance:1000 Megohms Min.
- Dielectric withstanding:AC 500 V
- Contact Resistance:20 Megohms Max
- Operating Temperature:-40° C - +105° C

### MATERIALS

- Contact Material:Copper Alloy
- Insulator Material:NYLON-6T UL94V-0
- Finish:Gold/Tin Plated



Recommended P. C. Board Hole Layout



No. of Pins Per Row		03~40
Dimension		
C	2.00*No.of Contacts-2.0	±0.25
D	2.00*No.of Contacts	±0.38

### Ordering Information

**F 200 2 \* XX G M 200 P W**  
 F: Pitch: 2: No. of pins per Row  
 Female 2.00mm Dual Row  
 G: GoldPlated  
 M: S.M.T  
 200: Plastic Height  
 P: Post  
 W: 6.50MM  
 5.30MM  
 Custom Length Available  
 T: Tin Plated