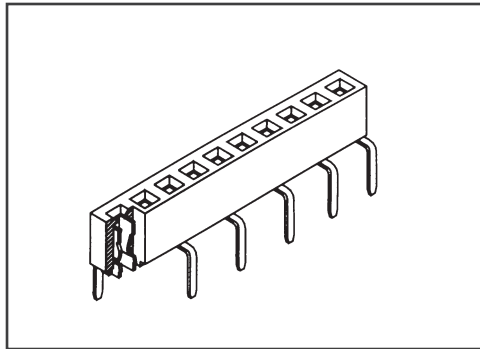


# Pitch:2.00mm (0.079")

## Single Row Female Header Bottom Entry Dip Type

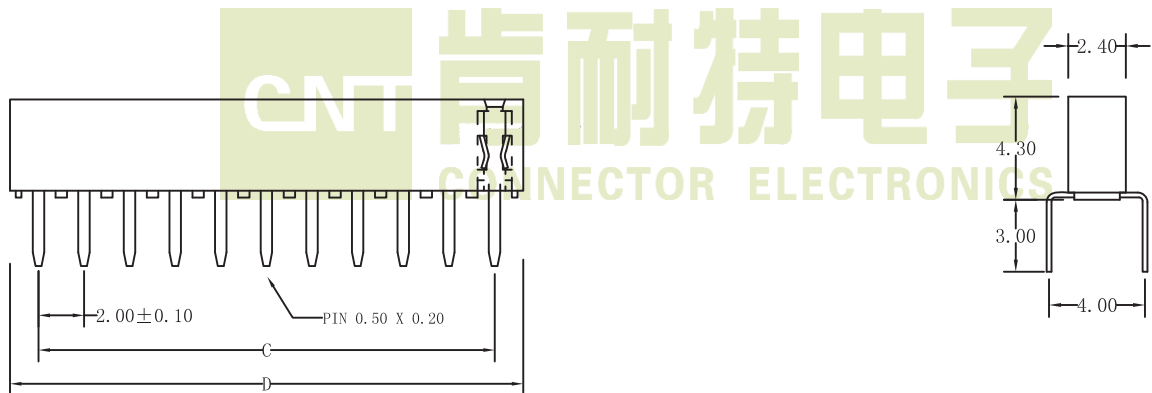
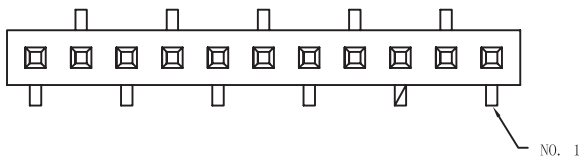


### SPECIFICATIONS

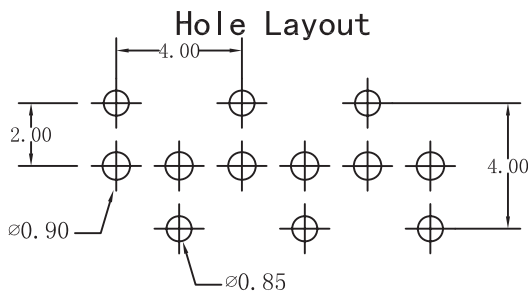
Current Rating:2.0 Amps  
 Insulator resistance:1000 Megohms Min.  
 Dielectric withstanding:AC 500 V  
 Contact Resistance:20 Megohms Max  
 Operating Temperature:-40° C - +105° C

### MATERIALS

Contact Material:Copper Alloy  
 Insulator Material:NYLON-6T UL94V-0  
 Finish:Gold/Tin Plated



### Recommended P. C. Board



No. of Pins Per Row		03~40
Dimension		
C	2.00*No.of Contacts-2.0	±0.25
D	2.00*No.of Contacts+0.6	±0.38

### Ordering Information

**F 200 2 \* XX G C 2 430**  
 F: Female    Pitch: 2.00mm    2: Dual Row    \*: No. of pins per Row    XX: No. of pins per Row  
 G: GoldPlated    C: Bottom Entry    2: Type 2    430: Plastic Height  
 T: Tin Plated