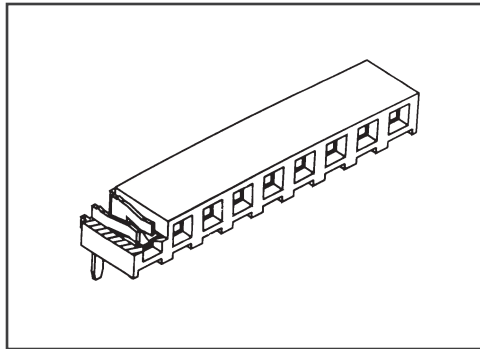


# Pitch:2.00mm (0.079")

## Single Row Female Header Right Angle Dip Type

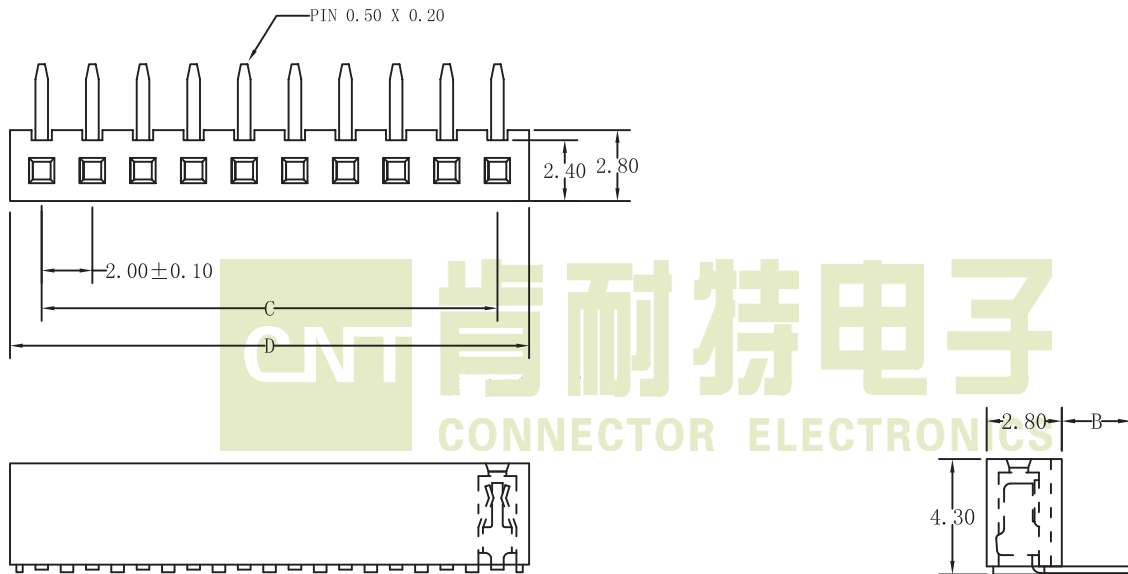


### SPECIFICATIONS

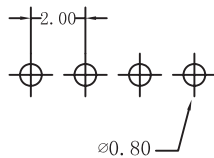
Current Rating:2.0 Amps  
 Insulator resistance:1000 Megohms Min.  
 Dielectric withstanding:AC 500 V  
 Contact Resistance:20 Megohms Max  
 Operating Temperature:-40° C - +105° C

### MATERIALS

Contact Material:Copper Alloy  
 Insulator Material:NYLON-6T UL94V-0  
 Finish:Gold/Tin Plated



### Recommended P. C. Board Hole Layout



No. of Pins Per Row		03~40
Dimension		
C	2.00*No.of Contacts-2.00	±0.25
D	2.00*No.of Contacts+0.6	±0.38

### Ordering Information

**F 200 1 \* XX G D 430 B**  
 F: Pitch: 1: \* XX G: D: 430 B:  
 Female 2.00mm Single Row No. of pins per Row GoldPlated Right Angle Plastic 3.0mm Height Custom Length Available  
 T: Tin Plated