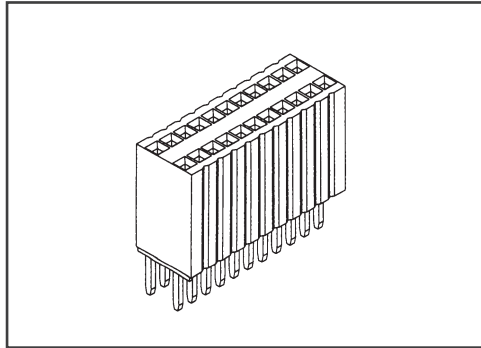


Pitch: 1.27X2.54mm (0.05"X0.01")

Dual Row Female Header S.M.T Type

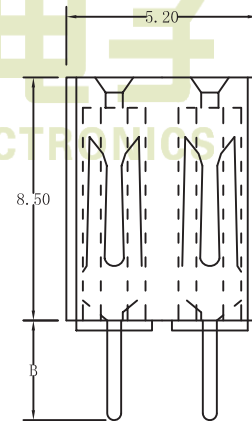
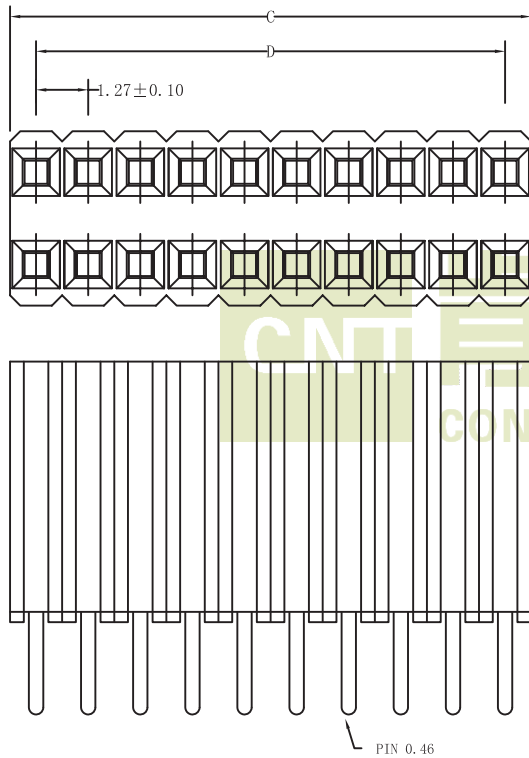


SPECIFICATIONS

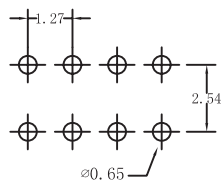
Current Rating: 1.0 Amps
 Insulator resistance: 1000 Megohms Min.
 Dielectric withstanding: AC 300 V
 Contact Resistance: 20 Megohms Max
 Operating Temperature: -40° C - +105° C

MATERIALS

Contact Material: Copper Alloy
 Insulator Material: Polyester UL 94V-0 Nylon-6T
 Finish: Gold/Tin Plated



Recommended P. C. Board Hole Layout



No. of Pins Per Row		02~35
Dimension		
D	1.27*No. of Contacts-1.27	±0.25
C	1.27*No. of Contacts	±0.38

Ordering Information

F Female Header
127 Pitch: 1.27mm
2 Double Row

XX No. of pins per Row
G GoldPlated
T Tin Plated
S Straight
850 Plastic Height : 8.5mm
B 3.0mm Custom Length Available