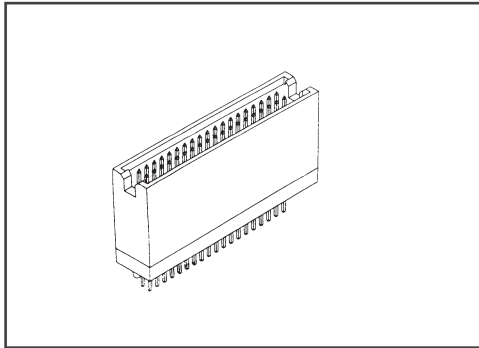


Pitch:1.27mm (0.05")

Box Header Dip Type

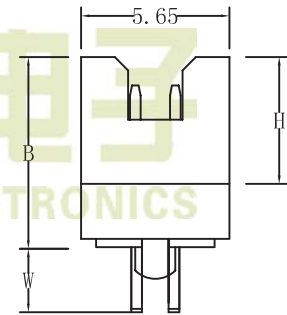
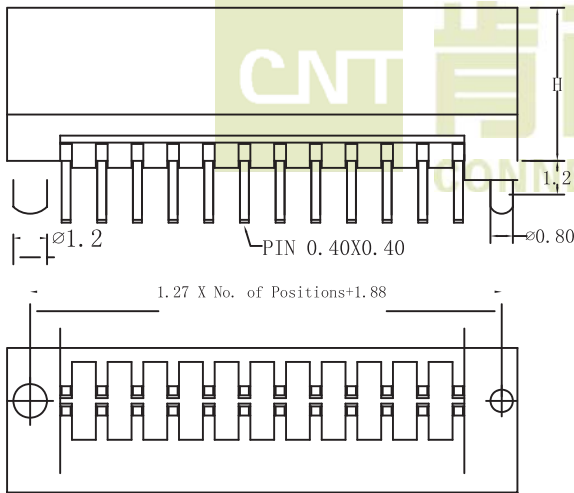
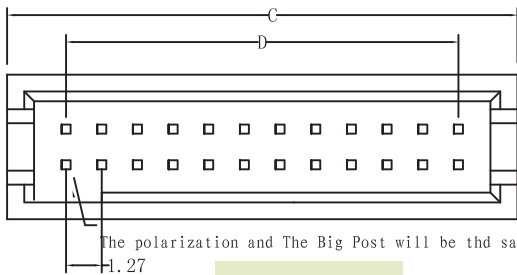


SPECIFICATIONS

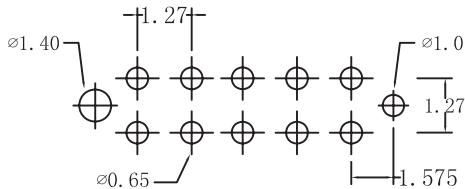
Current Rating:1.0 Amps
 Insulator resistance:1000 Megohms Min.
 Dielectric withstanding:AC 300 V
 Contact Resistance:20 Megohms Max
 Operating Temperature:-40° C - +105° C

MATERIALS

Contact Material:Copper Alloy
 Insulator Material:Polyester UL 94V-0
 Nylon-6T
 Finish:Gold/Tin Plated



Recommended P. C. Board Hole Layout



No. of Pins Per Row		05~40
Dimension		
C	1.27*No. of Contacts+3.20	±0.38
D	1.27*No. of Contacts-1.27	±0.25

Ordering Information

B 127 2 * XX G S B/W H
 B: Pitch: 2: No. of pins per Row G: GoldPlated S: Straight Custom Length Available H: 9.20mm
 Box 1.27mm Double Row T: Tin Plated Different Height
 12.10mm