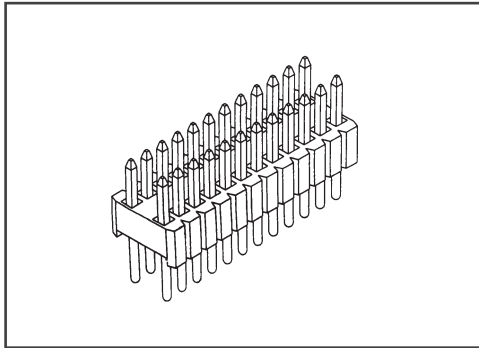


Pitch:1.27mm (0.05")

Dual Row Pin Header Dip Type

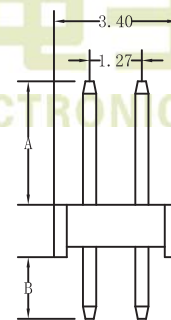
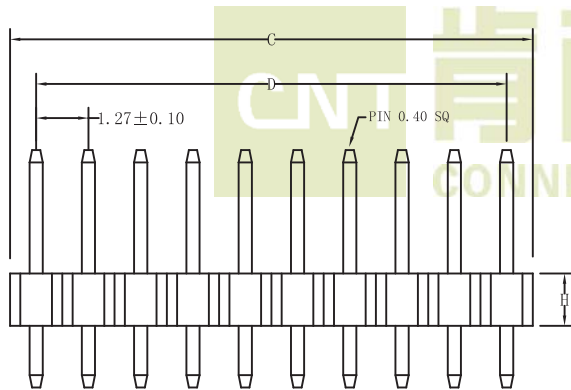
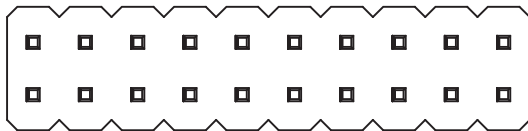


SPECIFICATIONS

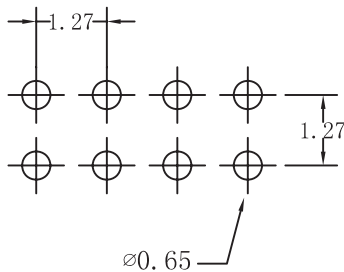
Current Rating:1.0 Amps
 Insulator resistance:1000 Megohms Min.
 Dielectric withstanding:AC 300 V
 Contact Resistance:20 Megohms Max
 Operating Temperature:-40° C - +105° C

MATERIALS

Contact Material:Copper Alloy
 Insulator Material:Polyester UL 94V-0
 Nylon-6T
 Finish:Gold/Tin Plated



Recommended P. C. Board Hole Layout



No. of Pins Per Row		02~33
Dimension		
C	1.27*No. of Contacts	±0.38
D	1.27*No. of Contacts-1.27	±0.25

Ordering Information

M 127 **2** * **XX** **G** **S** **A/B** **H**
 M: Male Pitch: 1.27mm 2: Double Row No. of pins per Row XX: No. of pins per Row G: GoldPlated S: Straight A/B: Custom Length Available H: 1.00MM, 1.50MM, 2.00MM, 2.50MM