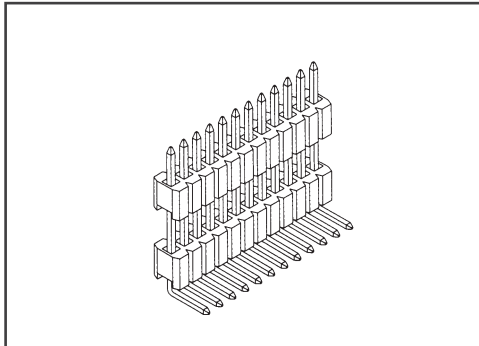


Pitch:1.27mm (0.05")

Single Row Pin Header Right Angle Dip Type

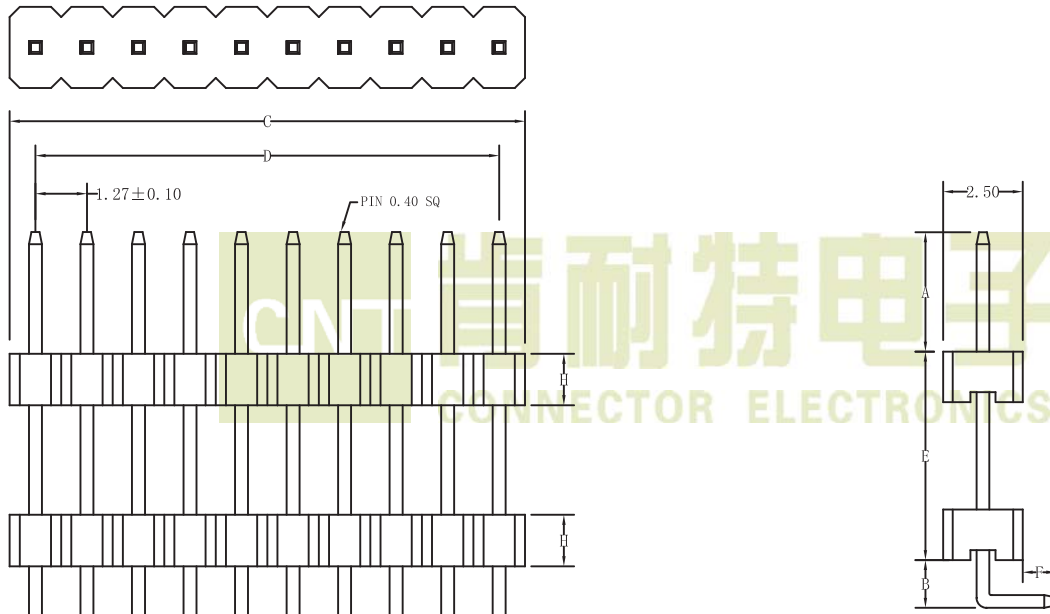


SPECIFICATIONS

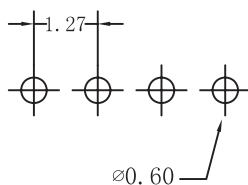
Current Rating:1.0 Amps
 Insulator resistance:1000 Megohms Min.
 Dielectric withstanding:AC 300 V
 Contact Resistance:20 Megohms Max
 Operating Temperature:-40° C - +105° C

MATERIALS

Contact Material:Copper Alloy
 Insulator Material:Polyester UL 94V-0
 Nylon-6T
 Finish:Gold/Tin Plated



Recommended P. C. Board Hole Layout



No. of Pins Per Row		03~33
Dimension		
C	1.27*No. of Contacts	±0.38
D	1.27*No. of Contacts-1.27	±0.25

Ordering Information

M 127 1 * XX **G** **D** **A/E/F/B** **H**
 M: Pitch: 1: No. of pins G: D: A/E/F/B: H:
 Male 1.27mm Single Row per Row GoldPlated Right angle Custom Length Available 1.00MM
 Tin Plated 1.50MM
 2.00MM
 2.54MM