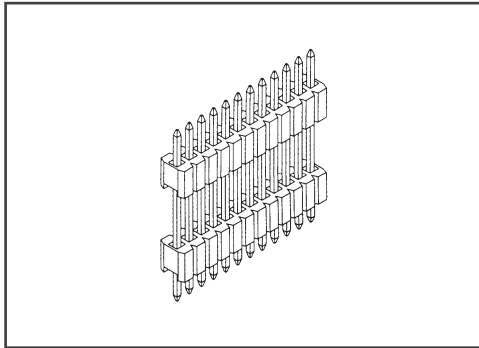


Pitch:1.27mm (0.05")

Single Row Pin Header Board Spacer Straight Dip Type

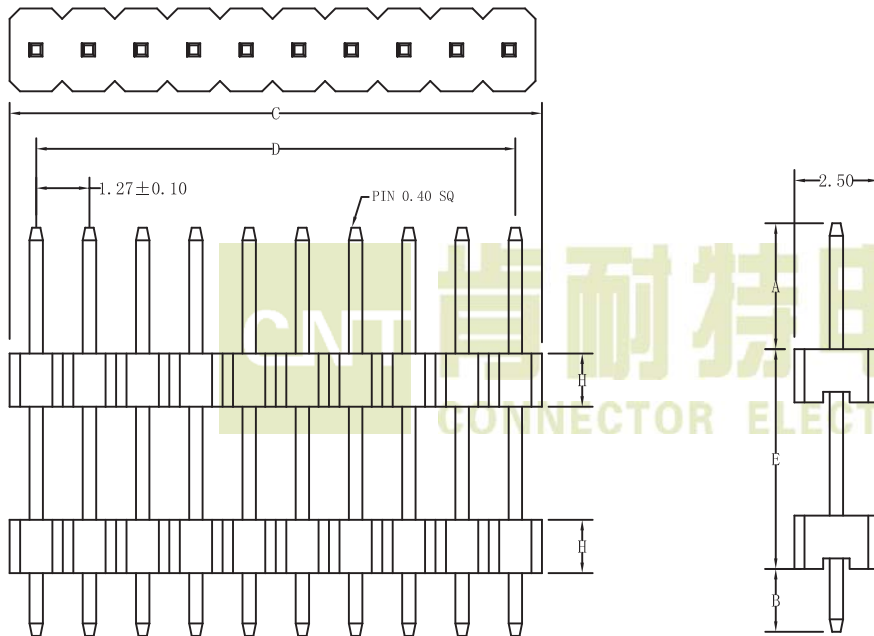


SPECIFICATIONS

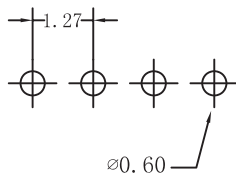
Current Rating:1.0 Amps
 Insulator resistance:1000 Megohms Min.
 Dielectric withstanding:AC 300 V
 Contact Resistance:20 Megohms Max
 Operating Temperature:-40° C - +105° C

MATERIALS

Contact Material:Copper Alloy
 Insulator Material:Polyester UL 94V-0
 Nylon-6T
 Finish:Gold/Tin Plated



Recommended P. C. Board Hole Layout



No. of Pins Per Row		03~33
Dimension		
C	1.27*No. of Contacts	±0.38
D	1.27*No. of Contacts-1.27	±0.25

Ordering Information

M	127	1	*	XX	G	S	A/E/B	H
M:	Pitch:	1:		No. of pins	G:	S:	Custom Length Available	1.00MM
Male	1.27mm	Single Row		per Row	GoldPlated	Straight		1.50MM
					T:			2.00MM
					Tin Plated			2.54MM